

PRODUCT SPECIFICATION 产品规格书

ENCZ09W

Intelligent Seat Cover (English panel)
智能电子座厕盖板 (全英面板)

(Rough-in Dimensions):

安装尺寸图:

(Unit): mm

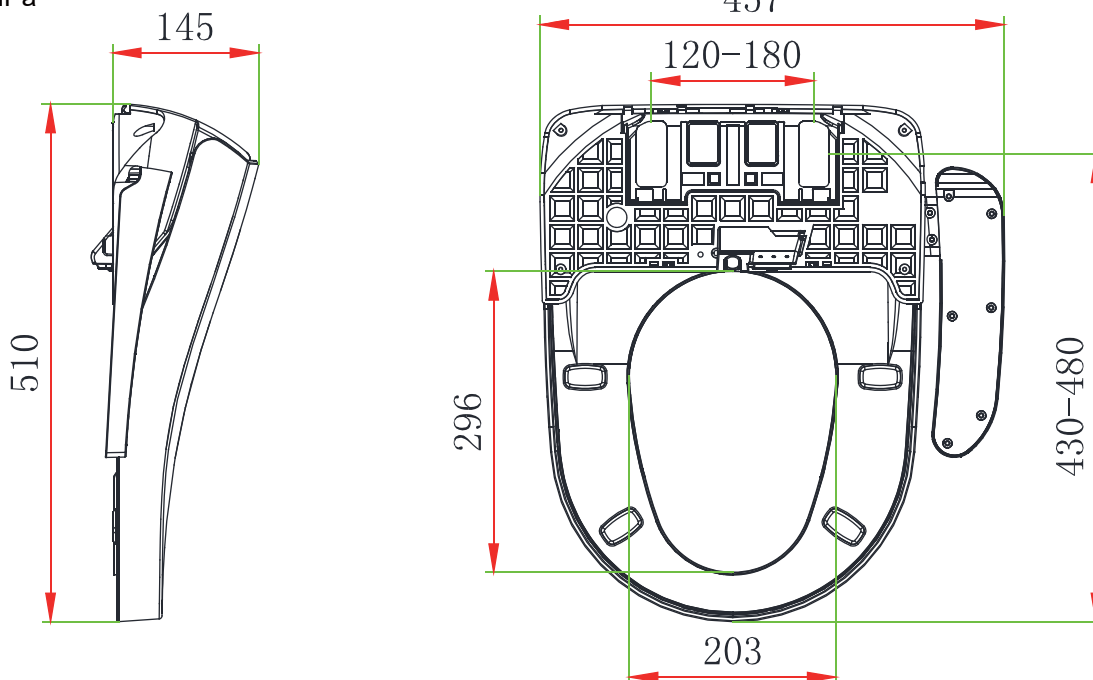
单位: 毫米

Pressure range: 0.1-0.5MPa

水压范围: 0.1-0.5MPa

Best to use: 0.3MPa

最优水压: 0.3MPa



Item No. 品号	ENCZ09W
Available Color 颜色	<input checked="" type="checkbox"/> White 白色
Materials 材质	PP 聚丙烯
Shipping Package 运输包装	Set/CTN: 1Set M ³ /CTN: 0.06M ³ G.W./CTN: 6.5kg 套/箱: 1套 体积/箱: 0.06M ³ 毛重/箱: 6.5kg

Remarks: Seat temperature adjustment/Water temperature adjustment/Seat induction/General/Bidet/Deodorization, Constant-Temperature/Energy-Saving/Water pressure adjustment/Dry/Air temperature adjustment/Massage/Reciprocating cleaning/Child mode/Automatic cleaning/Smooth defecation function/Soft lighting/Nozzle self cleaning/Position adjustment, Voltage: 220V/50Hz.

Recommend to match with toilet ENC2140, ENC2155, ENC2141.

备注: 座温调节, 水温调节, 座圈感应, 臀部清洗, 女用清洗, 除臭, 恒温装置, 智能节电, 水压调节, 暖风烘干, 风温调节, 强弱按摩, 移动按摩, 儿童清洗, 全自动, 助便功能, 柔光照明, 喷头自洁, 喷杆调节, 电压220V/50Hz。
推荐搭配ENC2140、ENC2155、ENC2141座厕使用。

INNOCI reserves the right to make changes or modifications on any of its products without advance notice.
INNOCI 艺耐公司保留不事先通知便改变或修改的权利。

innoci

Innoci Sanitary ware Co., Ltd
www.innoci.com

Version: A0
版本: A0